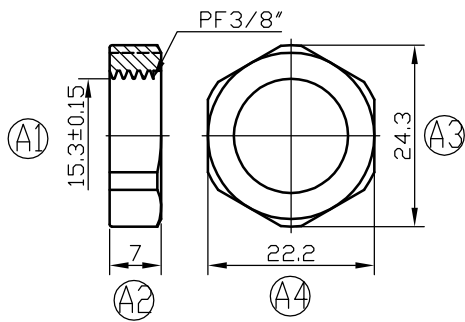
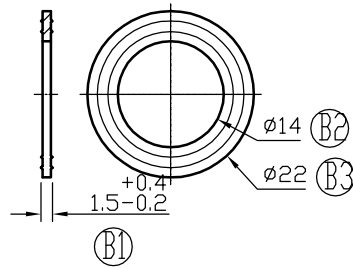


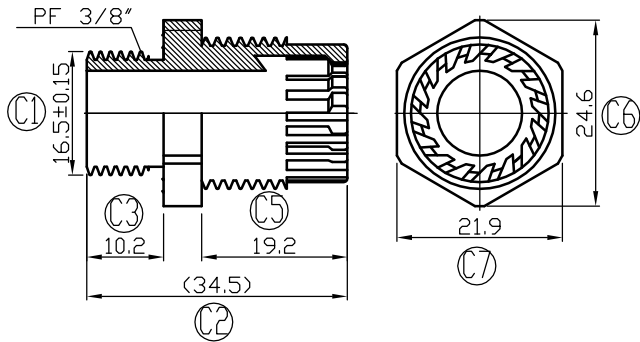
△ (A)



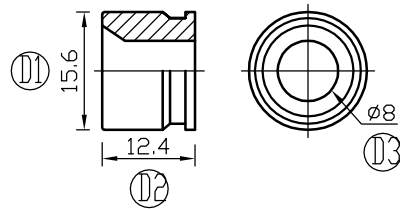
(B)



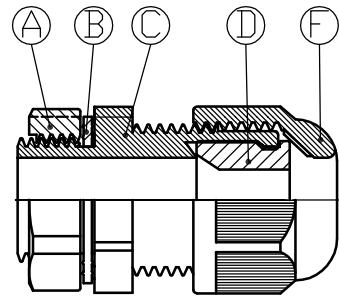
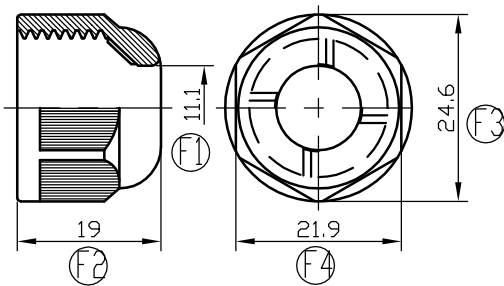
(C)



(D)



(F)



Confidential 機密文件 非授權 請勿外流

REV:	DESCRIPTION	DATE
△	The end of the life cycle of the mold, the mold updates 模具壽命周期更新	2017/07
全冠企業有限公司 AVC Industrial Corp.		
PRODUCT: NYLON CABLE GLANDS		
PART NO. : FGB17-07B		
SCALE: 1:1	UNIT: mm	REV. 7.0

INSPECTED BY	PEACA	2017.07.28
DRAWN BY	JESSIE	2017.07.28
MATERIAL	B, D PART: BLACK EPDM A, C, F PART: BLACK PA66 UL94V-2	

Cable Range	3.5 - 7.7 mm
Working Temp.	-40°C to 105°C (-40°F to 221°F)
IP Ratings	IP68 - 10bar
Panel Mounting Hole	17 - 17.2 mm
AVC Test No.	TA128-106-0259
TOLERANCE:	PATENTED
6 ±0.2	18.1~30±0.5
6.1~9±0.3	30.1~50±0.6
9.1~18±0.4	50.1~80±0.8
REMARK:	
All rights reserved	
( ) Inside reference value	

IP68

RoHS